

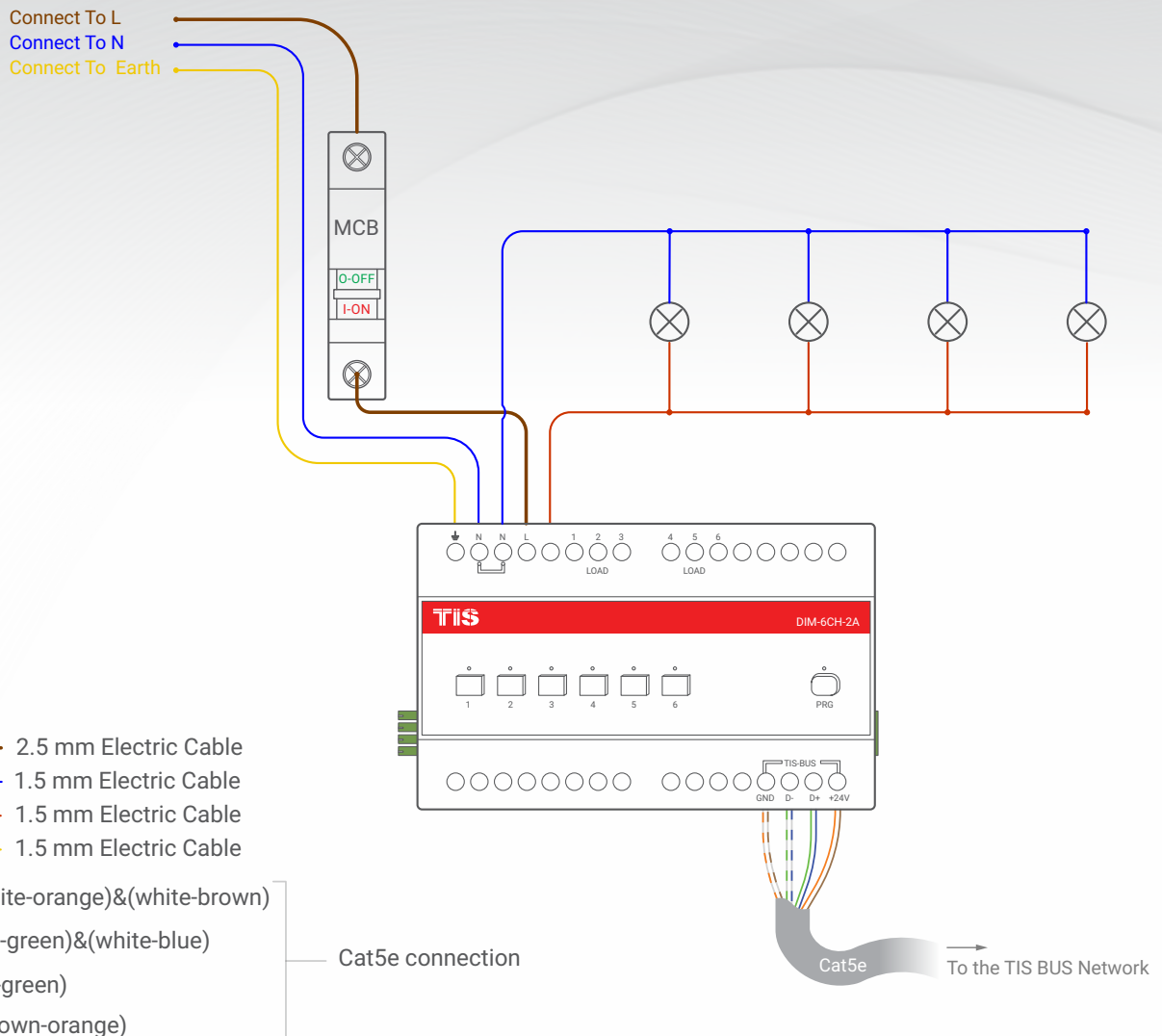


# TIS DIMMER

6 Channels 2 Amp.

Product Diagrams V 1.1

Model: DIM-6CH-2A

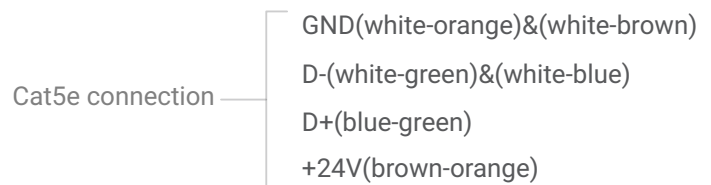
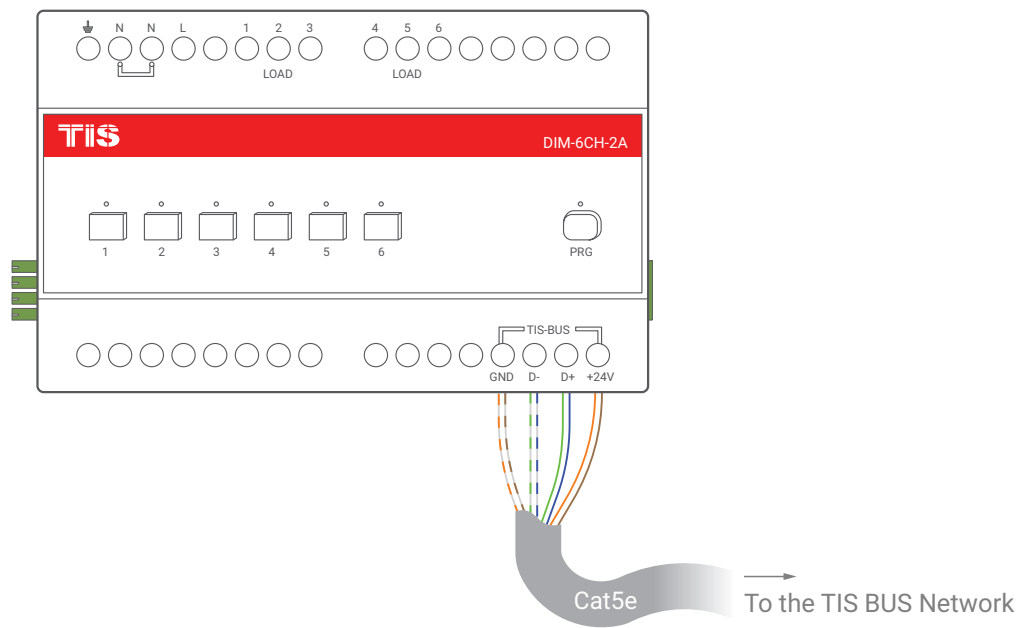


▲ Figure 1: Lights Connection Diagram

# TIS DIMMER

6 CHANNELS 2 AMP.

Model: DIM-6CH-2A



▲ Figure 2: Module's Bus Connection Color Coding



Copyright © 2020 TIS, All Rights Reserved  
TIS Logo is a Registered Trademark of Texas Intelligent System LLC in the United States of America. This company takes TIS Control Ltd. in other countries. All of the Specifications are subject to change without notice.

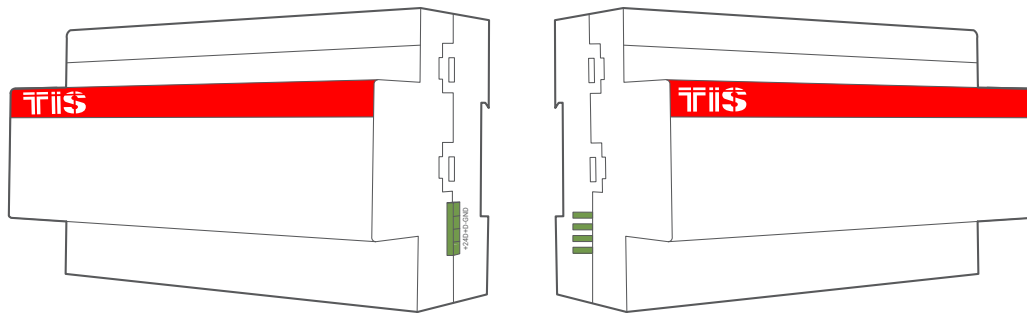
TEXAS INTELLIGENT SYSTEM LLC  
SUITE# 610, 860 NORTH DOROTHY DR  
RICHARDSON  
TX 75081.USA

TIS CONTROL LIMITED  
RM 1502-p9 Easey CommBldg  
253-261 Hennessy Rd Wanchai  
Hong Kong

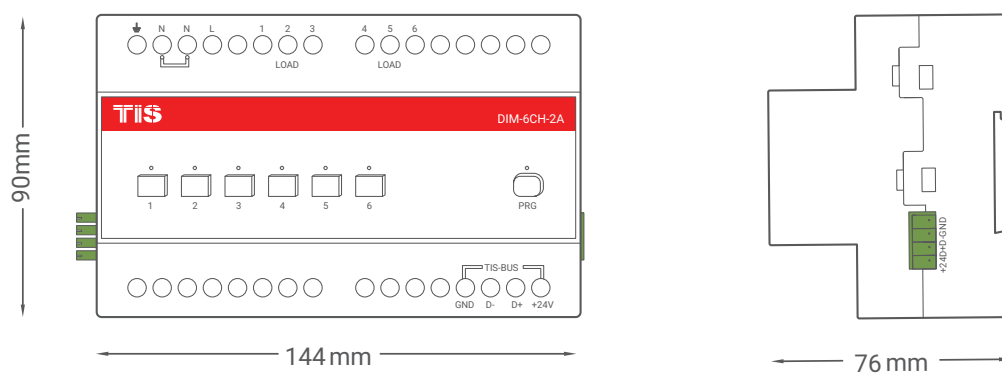
# TIS DIMMER

6 CHANNELS 2 AMP.

Model: DIM-6CH-2A



▲ Figure 3: DIN-Rail Bus Module Configuration Diagram



▲ Figure 4: Module Dimensions



Copyright © 2020 TIS, All Rights Reserved  
TIS Logo is a Registered Trademark of Texas Intelligent System LLC in the United States of America. This company takes TIS Control Ltd. in other countries. All of the Specifications are subject to change without notice.

TEXAS INTELLIGENT SYSTEM LLC  
SUITE# 610, 860 NORTH DOROTHY DR  
RICHARDSON  
TX 75081.USA

TIS CONTROL LIMITED  
RM 1502-p9 Easey CommBldg  
253-261 Hennessy Rd Wanchai  
Hong Kong